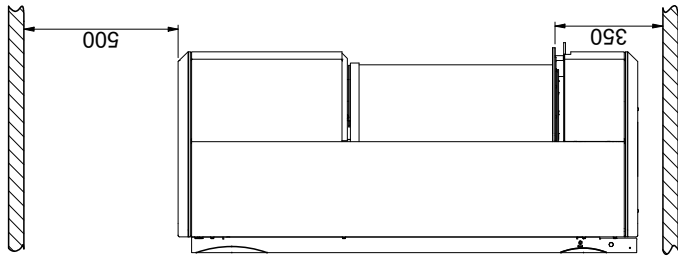
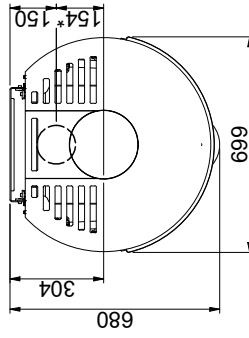
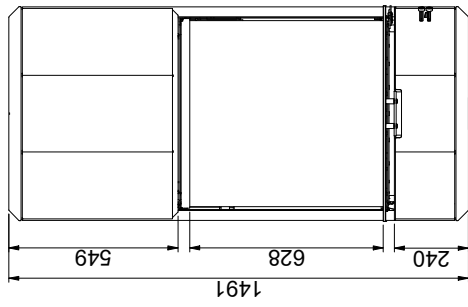
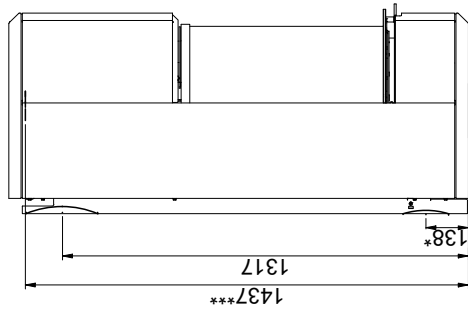


DIMENSION SKETCH AND MINIMUM DISTANCES

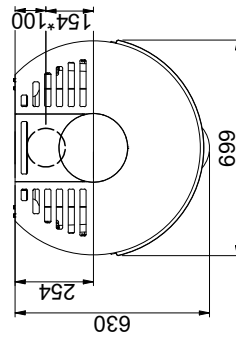
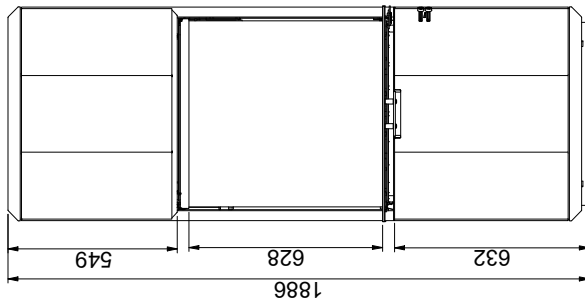
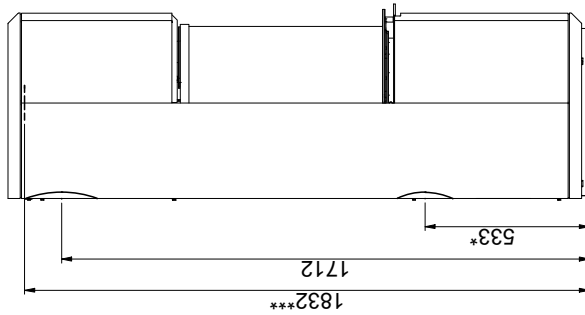
Flammable ceiling and floor



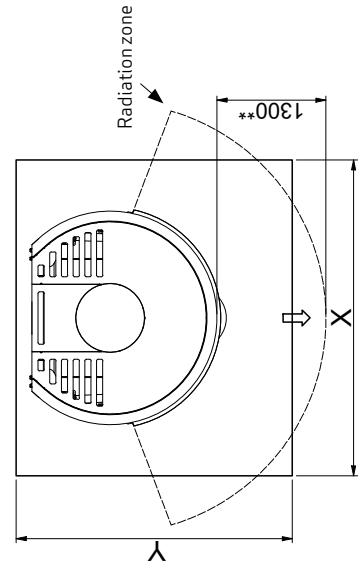
Scan 87 - wall-hung



Scan 87 - freestanding



Floor plate



X / Y according to national laws and regulations



Flammable material

All distances are in mm.

All distances are minimum distances

* Connection of fresh-air intake Ø 125 mm

** Min. distance to furniture/flammable material

*** Height to the beginning of flue connecting piece at top outlet