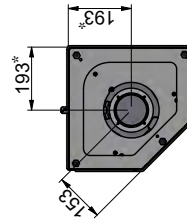
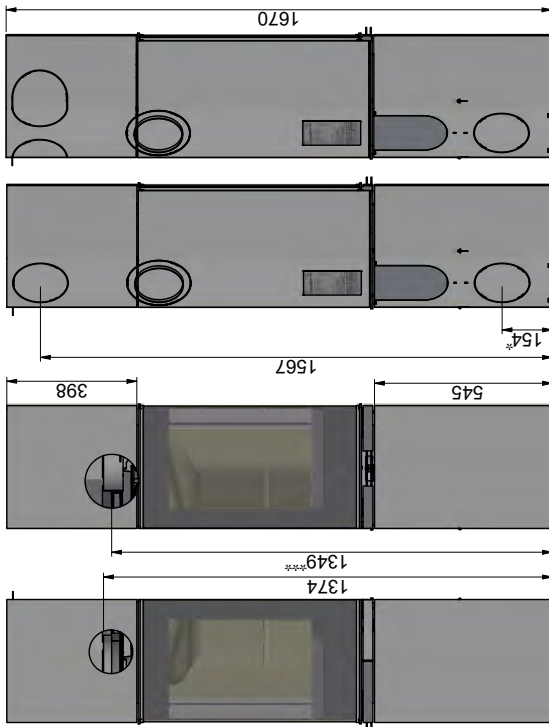


DIMENSION SKETCH AND MINIMUM DISTANCES

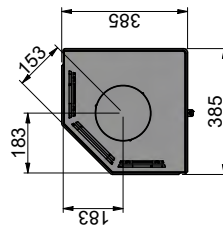
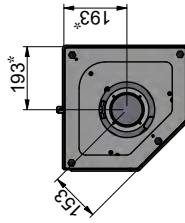
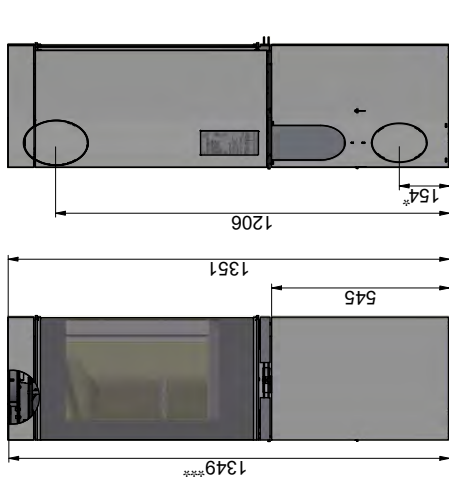
Flammable ceiling



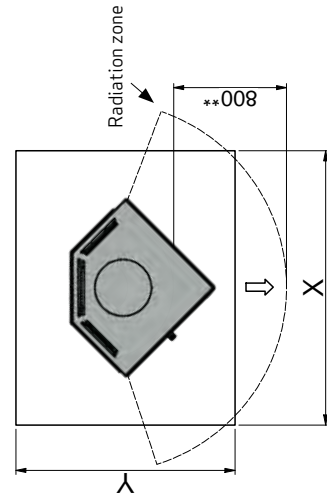
Scan 80-3 and Scan 80-4



Scan 80-1 and Scan 80-2



Floor plate



X / Y according to national laws and regulations



Flammable material

- All distances are in mm.
- All distances are minimum distances
- * Connection of fresh-air intake - external diameter Ø 100 mm
- ** Min. distance to furniture/flammable material
- *** Height to the beginning of flue connecting piece at top outlet