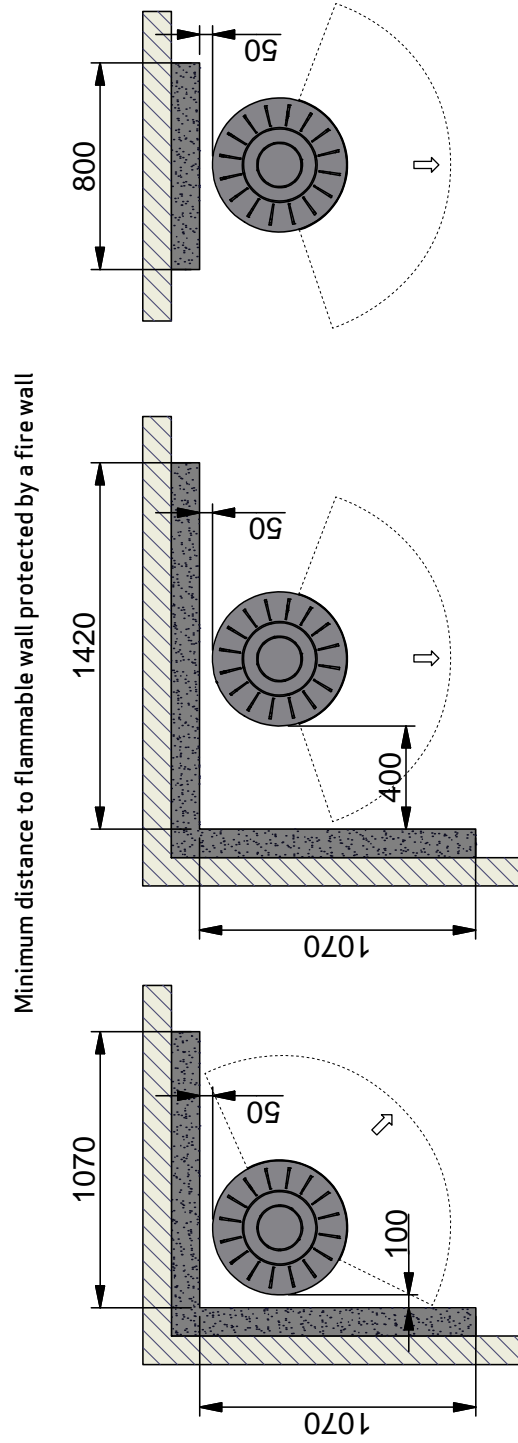
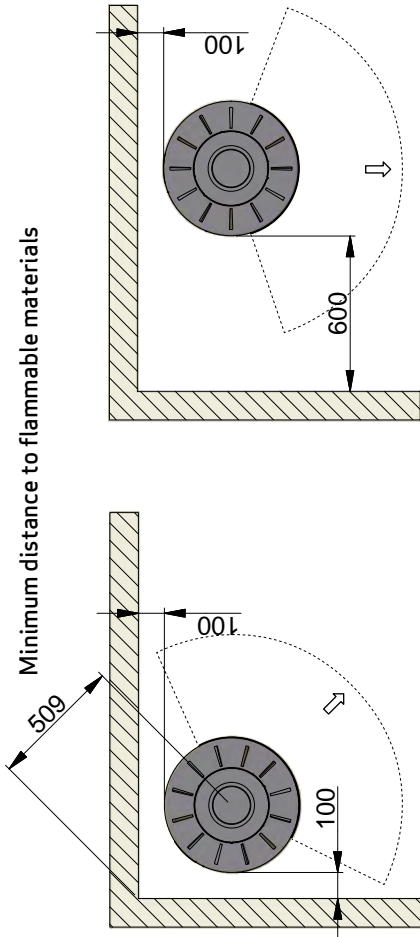
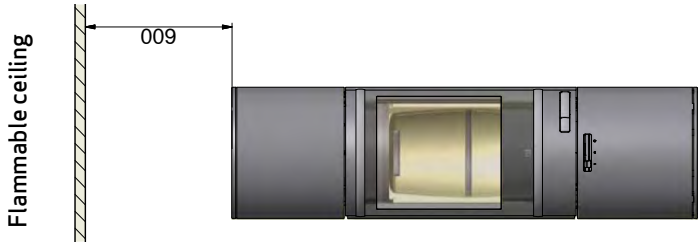

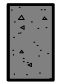


MINIMUM DISTANCES



-  Flammable material
-  Fire wall, e.g. 50 mm Jøtul Firewall, 110 mm brick or other material with corresponding fireproof and insulating abilities

All distances are in mm.
 All distances are minimum distances
 These distances apply for an uninsulated flue pipe/insulated flue pipe, all the way down to the stove