

UK
SCAN
41

UK - ASSEMBLY AND INSTRUCTIONS MANUAL

SCAN 41




SCAN®

ASSEMBLY AND INSTRUCTIONS MANUAL SCAN 41

CONGRATULATIONS ON YOUR NEW SCAN WOOD-BURNING STOVE

You have purchased a product by one of Europe's leading manufacturers of wood-burning stoves, and we are sure that you will have years of pleasure from your purchase.

To make the best possible use of your stove, it is important that you follow our advice and instructions. Read through this Assembly and Instruction Manual carefully before you start to assemble your stove.

SCAN 41-1



SCAN 41-2



TABLE OF CONTENTS

| | | | |
|---|-----------|--|----|
| TECHNICAL DATA | 4 | | |
| Installation | 4 | Dimension sketch | 6 |
| Safety | 4 | Type plate | 7 |
| The clean air act 1993 and smoke control areas | 4 | Product registration number | 7 |
| Technical data and dimensions | 5 | | |
| ASSEMBLY | 8 | | |
| Tools needed for mounting of the stove | 8 | Positioning the stove at a non-flammable wall | 9 |
| Loose parts | 8 | Distance to furniture | 9 |
| Additional accessories | 8 | Safety distance | 10 |
| Disposal of packaging | 8 | Removal of packaging | 12 |
| Fresh air intake | 8 | Height adjustment of stove | 13 |
| Closed combustion system | 9 | Fitting the flue connection piece | 13 |
| Existing chimney and pre-fabricated element chimney | 9 | Load-bearing foundation | 15 |
| Connection between built-in stove and steel chimney | 9 | Floor plate | 15 |
| Requirements for chimney | 9 | Mounting the UK - screw | 15 |
| INSTRUCTIONS FOR USE | 16 | | |
| CB-technology (Clean Burn) | 16 | Baffle plate | 16 |
| Primary air | 16 | Ash container | 16 |
| Secondary air | 16 | | |
| INSTRUCTIONS FOR HEATING | 18 | | |
| Environmentally-friendly firing | 18 | Firing in the spring or autumn | 19 |
| Lighting | 18 | The function of the chimney | 19 |
| Continuous operation | 19 | Chimney fire | 19 |
| Warning about over-firing | 19 | General notes | 20 |
| Using your stove in various weather conditions | 19 | | |
| HANDLING OF THE FUEL | 21 | | |
| Selecting wood/fuel | 21 | Moisture | 21 |
| Preparation | 21 | Use of the following as fuel is illegal | 21 |
| Storing | 21 | Calorific value of the wood | 21 |
| MAINTAINANCE | 22 | | |
| Sweeping the chimney and cleaning the stove | 22 | Painted surfaces | 22 |
| Checking the stove | 22 | Removal of baffle plates and combustion chamber lining | 23 |
| Servicing | 22 | Cleaning the glass | 24 |
| Combustion chamber lining | 22 | Disposal of stove parts | 24 |
| Gaskets | 22 | | |
| TROUBLESHOOTING | 25 | | |
| WARRANTY | 26 | | |

TECHNICAL DATA

INSTALLATION

- The house owner is responsible for ensuring that installation and assembly are in accordance with national and local building regulations as well as the information provided in this Assembly and Instruction Manual
- When you install any kind of fireplace or stove, you must inform the local building and housing authorities. In addition you are obliged to have the installation inspected and approved by a local chimney sweep prior to commissioning
- To ensure best-possible functionality and safety for your installation, we advise you to call a professional fitter. Your Scan Dealer will be able to recommend a qualified fitter in your area. For information on Scan Dealers, please go to www.scan-stoves.com

SAFETY

Any changes made to the product by the dealer, fitter or user could result in the product and safety functions not functioning as intended. The same applies to the fitting of accessories or extra equipment not supplied by Scan A/S. This could also be the case if parts that are necessary for the operation and safety of the stove are dismantled or removed.

THE CLEAN AIR ACT 1993 AND SMOKE CONTROL AREAS

Under the Clean Air Act local authorities may declare the whole or part of the district of the authority to be a smoke control area. It is an offence to emit smoke from a chimney of a building, from a furnace or from any fixed boiler if located in a designated smoke control area. It is also an offence to acquire an "unauthorized fuel" for use within a smoke control area unless it is used in an "exempt" appliance ("exempted" from the controls which generally apply in the smoke control area).

The Secretary of State for Environment, Food and Rural Affairs has powers under the Act to authorize smokeless fuels or exempt appliances for use in smoke control areas in England. In Scotland and Wales this power rests with Ministers in the devolved administrations for those countries. Separate legislation, the Clean Air (Northern Ireland) Order 1981, applies in Northern Ireland. Therefore it is a requirement that fuels burnt or obtained for use in smoke control areas have been "authorized" in Regulations and that appliances used to burn solid fuel in those areas (other than "authorized" fuels) have been exempted by an Order made and signed by the Secretary of State or Minister in the devolved administrations.

- Further information on the requirements of the Clean Air Act can be found here: www.smokecontrol.defra.gov.uk
- Your local authority is responsible for implementing the Clean Air Act 1993 including designation and supervision of smoke control areas and you can contact them for details of Clean Air Act requirements"
- The secondary air valve has been modified, so that it does not close completely but has an opening corresponding to the position used at the lowest emission test, see page 15
- You can use any type of wood as fuel
- This stove has been recommended as suitable for use in smoke control areas when burning wood



■ PLEASE NOTE!

YOU GET THE BEST USE OF
THE STOVE BY USING
A TOP-DOWN
LIGHTING METHOD

SEE
"INSTRUCTIONS FOR HEATING"



TECHNICAL DATA AND DIMENSIONS

| | |
|------------------------------------|---|
| Materials | Steel plate Cast iron Galvanised sheet Vermiculite |
| Surface treatment | Senotherm |
| Max. wood length | 30 cm |
| Weight Scan 41-1 and Scan 41-2 | ca. 119 kg |
| Connecting piece internal diameter | 144 mm |
| Connecting piece external diameter | 148 mm |
| Approval type | Intermittent fuelling* |

* Intermittent operation in this context means normal use of a wood-burning stove. In other words, you should let the fire die down until only the embers are left before refueling.

This stove is produced in accordance with type approval for the product, which also covers the product's Assembly and Instruction Manual.

The Declaration of Performance (DoP) is available from www.scan-stoves.com.

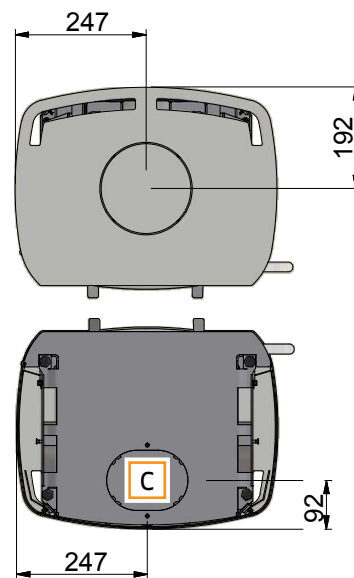
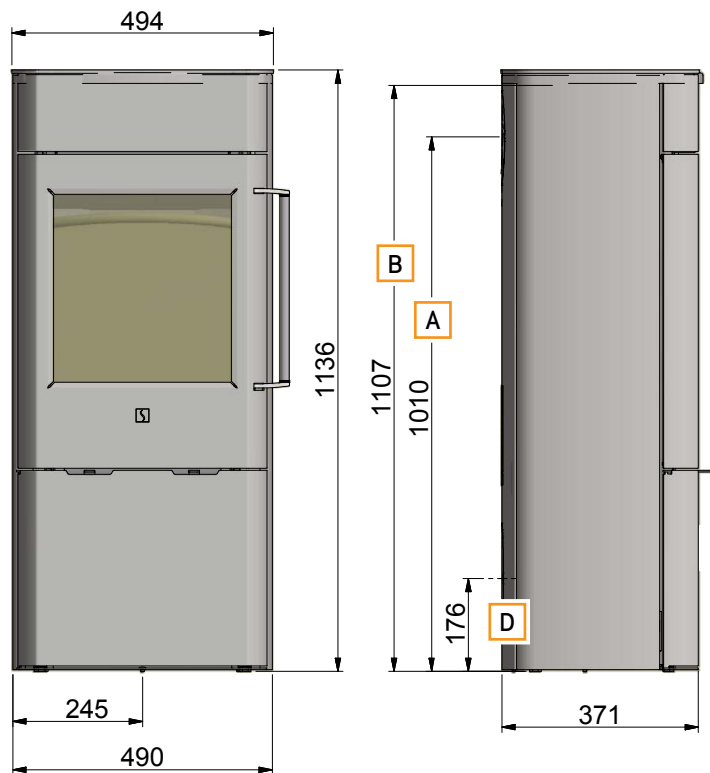
Scan 41-1 - Test in compliance with EN 13240

| | |
|--|------------------------|
| CO Emission at 13% O ₂ | 0,08 % |
| CO Emission at 13% O ₂ | 975 mg/Nm ³ |
| Dust @ 13% O ₂ | <20 mg/Nm ³ |
| No _x @ 13% O ₂ | 104 mg/Nm ³ |
| Efficiency | 82 % |
| Energy efficiency index | 109 |
| Energy efficiency class | A+ |
| Nominal output | 6 kW |
| Chimney temperature EN 13240 | 221 °C |
| Temperature in flue conn. piece | 300 °C |
| Amount of smoke | 5 g/sek |
| Sub-pressure EN 13240 | 12 Pa |
| Recommended sub-pressure in connecting piece | 15-18 Pa |
| Required combustion air supply | 13,3 m ³ /h |
| Fuel | Wood |
| Fuel consumption | 2 kg/h |
| Amount of fuel required to light | 1,5 kg |

Scan 41-2 - Test in compliance with EN 13240

| | |
|--|-------------------------|
| CO Emission at 13% O ₂ | 0,1 % |
| CO Emission at 13% O ₂ | 1221 mg/Nm ³ |
| Dust @ 13% O ₂ | <20 mg/Nm ³ |
| No _x @ 13% O ₂ | 117 mg/Nm ³ |
| Efficiency | 79 % |
| Energy efficiency index | 105 |
| Energy efficiency class | A |
| Nominal output | 6 kW |
| Chimney temperature EN 13240 | 240 °C |
| Temperature in flue conn. piece | 305 °C |
| Amount of smoke | 6 g/sek |
| Sub-pressure EN 13240 | 12 Pa |
| Recommended sub-pressure in connecting piece | 15-18 Pa |
| Required combustion air supply | 12,5 m ³ /h |
| Fuel | Wood |
| Fuel consumption | 2 kg/h |
| Amount of fuel required to light | 1,5 kg |

DIMENSION SKETCH SCAN 41-1 AND 41-2



- A** Centre rear outlet
- B** Height to the beginning of the connecting piece at top outlet
- C** Fresh air intake bottom
- D** Fresh air intake at the back of the stove


All measurements are in millimeters

TYPE PLATE


All Scan wood-burning stoves are fitted with a type plate that specifies the approval standards and the distance to flammable materials.

The type plate is located at the rear of the stove.

Type plate Scan 41-1 (without side windows)

| Product: Scan 41-1 | |  | |
|--|----------------|---|-----------------------|
| Freestanding room heater fired by solid fuel | | DoP: 90041600 | |
| Standard: EN 13240:2001/A2:2004:AC:2007 | | | |
| Minimum distance to adjacent combustible materials: Side: 350 mm - Back: 150 mm - Front: 1000 mm | | | |
| Emission of CO in combustion products (13% O ₂) | : | 975 mg/Nm ³ | |
| Emission of NO _x in combustion products (13% O ₂) | : | 104 mg/Nm ³ | |
| Emission of OGC in combustion products (13% O ₂) | : | 81 mg/Nm ³ | |
| Emission of PM in combustion products (13% O ₂) | : | <20 mg/Nm ³ | |
| Flue gas temperature | : | 221 °C | |
| Nominal heat output | : | 6 kW | |
| Efficiency | : | 82 % | |
| Fuel type | : | Wood | |
| Operation type | : | Intermittent | |
| Reaction to fire | : | A1 | |
| Electrical safety | : | - | |
| The appliance can be used in a shared flue Approved by: RWE Power AG, NB.no 1427 | | | |
| Follow user's instructions. Use only recommended fuels. Montage- und Bedienungsanleitung beachten. Verwenden Sie nur empfohlenen Brennstoffen. Respectez les consignes d'utilisation. Utilisez uniquement les combustibles recommandés. | | | |
| Manufacturer: Scan A/S - DK 5492 Vissenbjerg | | | |
| 12055767 90041650 | | | |
| Country | Classification | Standard | Approved by |
| EUR | Intermittent | EN 13240 | RWE Power, NB.no 1427 |
| NORWAY | Klasse 2 | NS 3058 | DTI, NB.no 1235 |
| SCHWEIZ | | | RWE Power, NB.no 1427 |
| GERMANY | Stufe 2 | 1. BImSchV | RWE Power, NB.no 1427 |
| Lot no: 000000 2019 | | Pin: 000 | |

Typeskilt Scan 41-2 (without side windows)

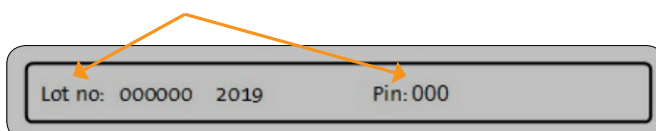
| Product: Scan 41-2 | |  | |
|--|----------------|---|-----------------------|
| Freestanding room heater fired by solid fuel | | DoP: 90041601 | |
| Standard: EN 13240:2001/A2:2004:AC:2007 | | | |
| Minimum distance to adjacent combustible materials: Side: 500 mm - Back: 150 mm - Front: 1000 mm | | | |
| Emission of CO in combustion products (13% O ₂) | : | 1221 mg/Nm ³ | |
| Emission of NO _x in combustion products (13% O ₂) | : | 117 mg/Nm ³ | |
| Emission of OGC in combustion products (13% O ₂) | : | 92 mg/Nm ³ | |
| Emission of PM in combustion products (13% O ₂) | : | <20 mg/Nm ³ | |
| Flue gas temperature | : | 240 °C | |
| Nominal heat output | : | 6 kW | |
| Efficiency | : | 79 % | |
| Fuel type | : | Wood | |
| Operation type | : | Intermittent | |
| Reaction to fire | : | A1 | |
| The appliance can be used in a shared flue Approved by: RWE Power AG, NB.no 1427 | | | |
| Follow user's instructions. Use only recommended fuels. Montage- und Bedienungsanleitung beachten. Verwenden Sie nur empfohlenen Brennstoffen. Respectez les consignes d'utilisation. Utilisez uniquement les combustibles recommandés. | | | |
| Manufacturer: Scan A/S - DK 5492 Vissenbjerg | | | |
| 12055768 90041651 | | | |
| Country | Classification | Standard | Approved by |
| EUR | Intermittent | EN 13240 | RWE Power, NB.no 1427 |
| NORWAY | Klasse 2 | NS 3058 | DTI, NB.no 1235 |
| SCHWEIZ | | | RWE Power, NB.no 1427 |
| GERMANY | Stufe 2 | 1. BImSchV | RWE Power, NB.no 1427 |
| Lot no: 000000 2019 | | Pin: 000 | |

PRODUCT REGISTRATION NUMBER

All Scan wood-burning stoves are provided with a product registration number. Please make a note of this number at the rear page of this manual; you will always need to quote it when contacting your dealer or Scan A/S.

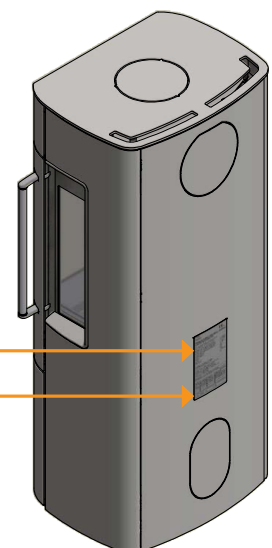
The product registration number is located at the rear of the stove.

Product registration number



Type plate

Product registration number



ASSEMBLY

TOOLS NEEDED FOR MOUNTING OF THE STOVE

- Spirit level
- Cutting nippers
- Open-end spanner

LOOSE PARTS

The loose parts are located in the stove's ash drawer.

- Glove
- Seal for the connecting piece
- 4 pcs. screws M5x12 mm for fastening the connecting piece
- 1 pcs. screw M5x6 mm, must be placed for United Kingdom

ADDITIONAL ACCESSORIES

- Small shaped floor plate in glass or steel
- Large shaped floor plate in glass or steel
- Adjustment key for height adjustment

DISPOSAL OF PACKAGING

Your Scan stove may come supplied with the following packaging:

| | |
|----------------------|---|
| Wood packaging | The wood packaging can be reused and after final use can be incinerated as a CO ₂ neutral product or sent for recycling. |
| Foam | Send for recycling or waste disposal |
| Plastic bags | Send for recycling or waste disposal |
| Stretch/plastic film | Send for recycling or waste disposal |

FRESH AIR INTAKE

In a well-insulated house, the air used up by the burning process has to be replaced. This particularly applies to houses with mechanical ventilation. There are different ways of making sure that an air exchange takes place. The most important thing is to ensure that there is a supply of air to the room where the wood stove is located. The external wall vent must be located as close to the wood stove as possible, and you must be able to close it when you are not using the wood stove.

National and local building regulations must be followed with regard to the connection of fresh-air intake.

CLOSED COMBUSTION SYSTEM

You should use the closed combustion system for the wood-burning stove if you live in a newly-built, airtight home. External combustion air is connected through a ventilation pipe via the wall or floor.

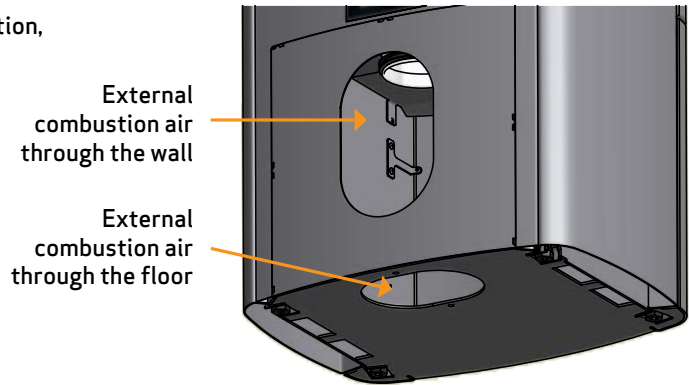
It must be possible to shut off the ventilation pipe with a valve, when the stove is not in use. Minimum \varnothing 100 mm ventilation pipe, maximum length: 6 metres with a maximum of one bend. We recommend smooth steel pipes.

We recommend mounting a valve in the ventilation pipe in order to avoid condensate in the stove and the pipe system, when the stove is not in use. It can also be an advantage to insulate the ventilation pipe.

If you want external combustion air via a wall, remove the cover plate at the rear of the stove with a pair of cutting pliers.

NOTE: if the stove has a fresh air connexion or closed combustion, the ventilation pipe must be open, when the stove is in use!

Remove the cover plate at the back of the stove or the cover plate at the bottom of the wood compartment store, as shown in "Fitting the flue connection piece in the top outlet". Connect outside air to the connection piece underneath the combustion chamber.



EXISTING CHIMNEY AND PRE-FABRICATED ELEMENT CHIMNEY

If you intend to connect your stove to an existing chimney, it makes sense to contact an authorised Scan dealer, or a local chimney sweep, for advice. These experts will also let you know if your chimney needs renovating.

- When connecting a pre-fabricated element chimney, follow the manufacturer's connection instructions for the relevant chimney type

CONNECTION BETWEEN BUILT-IN STOVE AND STEEL CHIMNEY

Your Scan dealer, or local chimney sweep, can advise you on choosing a make and type of steel chimney. This ensures that the chimney will match your wood-burning stove.

REQUIREMENTS FOR CHIMNEY

The chimney must have a minimum internal diameter of 148 mm and have a T400 designation, with G for the soot fire test. The length should be min. 4 metres.

The requirements to the chimney and the flue pipe in terms of safety distances must be met.

If the chimney is fitted with a smoke extractor, it must be possible to adjust it to a suitable draft.

- Choosing the wrong length or diameter of steel chimney could impair functionality
- Always comply exactly with the instructions provided by the steel chimney supplier

POSITIONING THE STOVE AT A NON-FLAMMABLE WALL

There are no demands concerning the distance to non-flammable materials, but we recommend a distance of 50 mm in order to facilitate the cleaning of the stove, the flue pipes and the chimney and to prevent possible damages to the wall.

DISTANCE TO FURNITURE

Distance to furniture from glass: 1000 mm.

You should however assess whether furniture or other items might become excessively dry due to being too close to the stove.

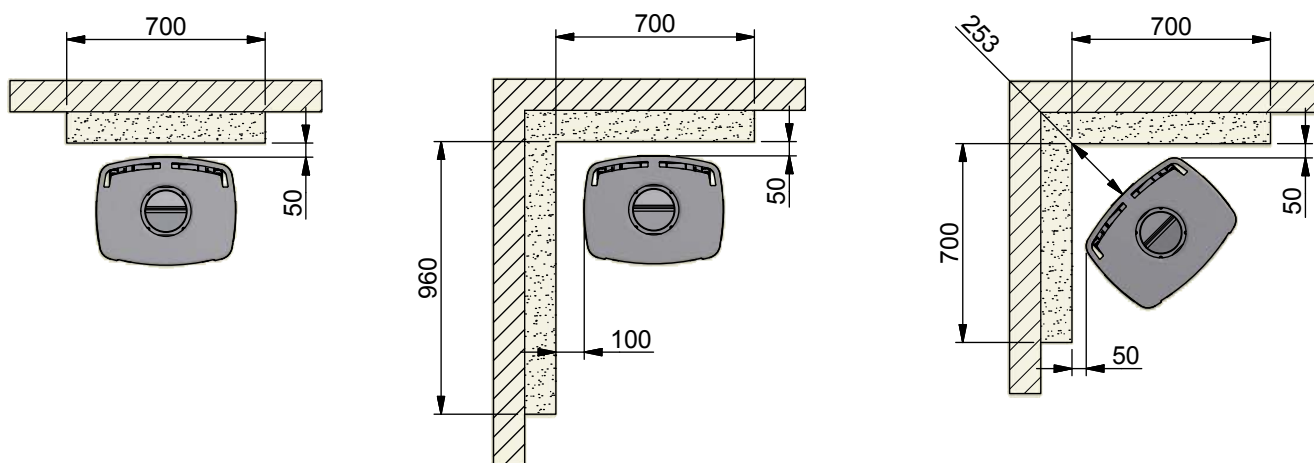
SAFETY DISTANCE

European, national and local regulations concerning safety distances for wood-burning stoves must be complied with.

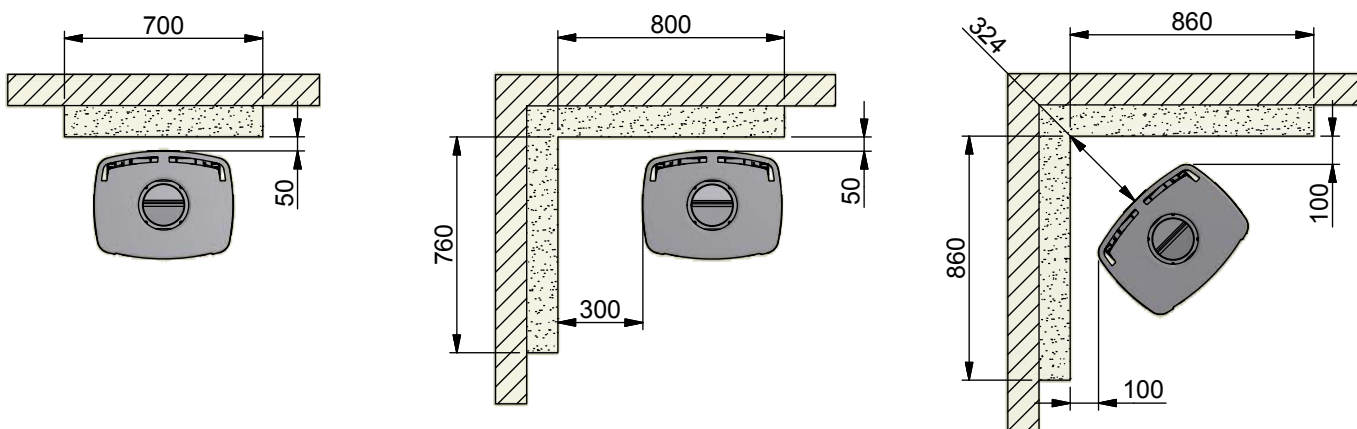
DISTANCE TO FLAMMABLE WALL PROTECTED BY A FIRE WALL

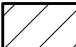

These distances apply for an insulated flue pipe all the way down to the stove.

41-1 (without side windows)



41-2 (with side windows)



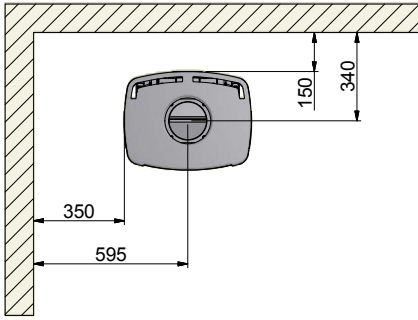
-  Flammable material
-  Fire wall, e.g. 50 mm Jøtul Firewall, 110 mm brick or other material with corresponding fireproof and insulating abilities

All distances are in mm.

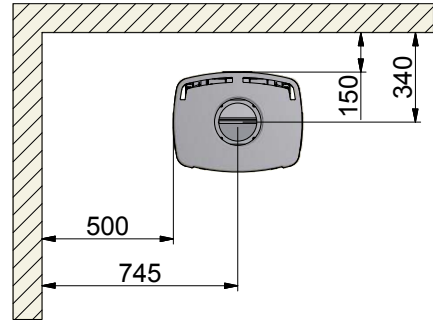
All distances are minimum distances

DISTANCE TO FLAMMABLE MATERIALS, WITH UNINSULATED FLUE PIPE

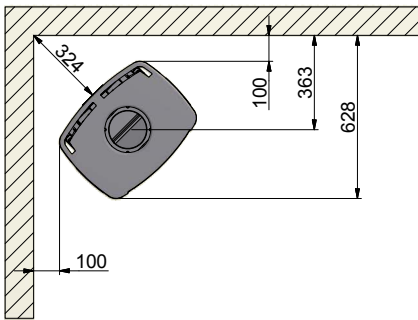
41-1 (without side windows)
Parallel installation



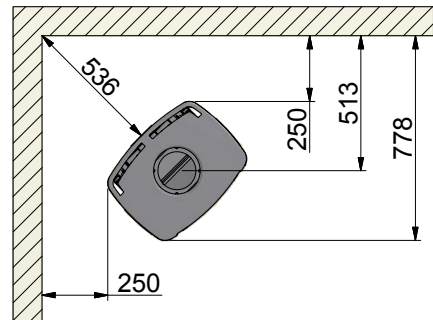
41-2 (with side windows)
Parallel installation



41-1 (without side windows)
45° corner installation



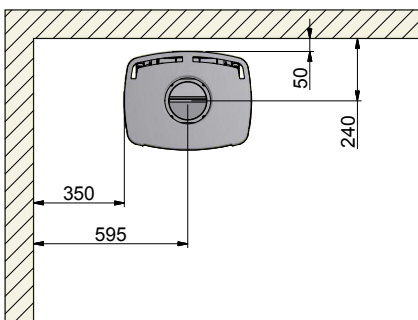
41-2 (with side windows)
45° corner installation



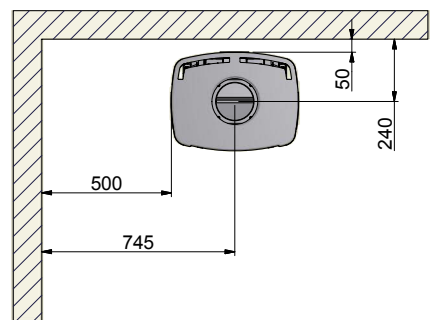
DISTANCE TO FLAMMABLE MATERIALS, WITH INSULATED FLUE PIPE

These distances apply for an insulated flue pipe all the way down to the stove.

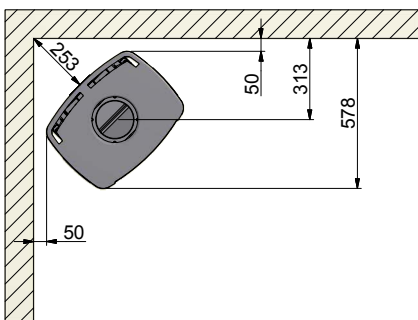
41-1 (without side windows)
Parallel installation



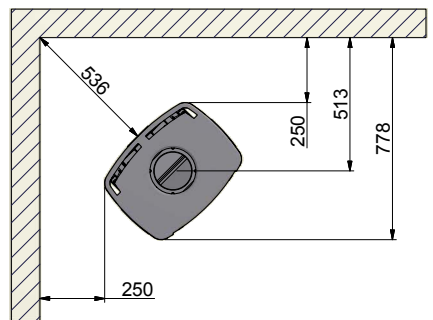
41-2 (with side windows)
Parallel installation



41-1 (without side windows)
45° corner installation



41-2 (with side windows)
45° corner installation

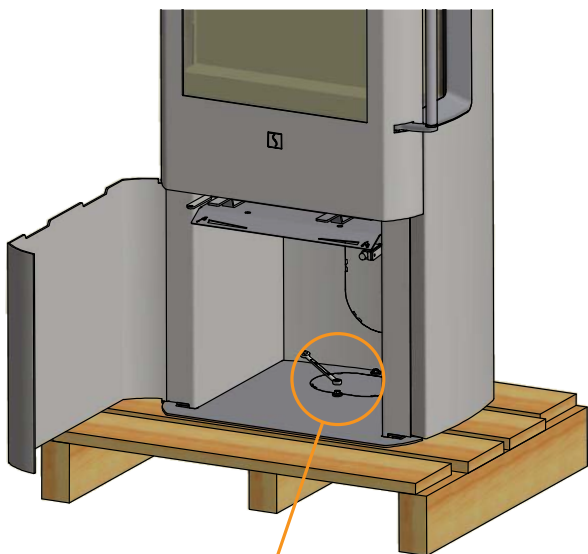


REMOVAL OF PACKAGING

Check that the stove is not damaged before starting to install it.

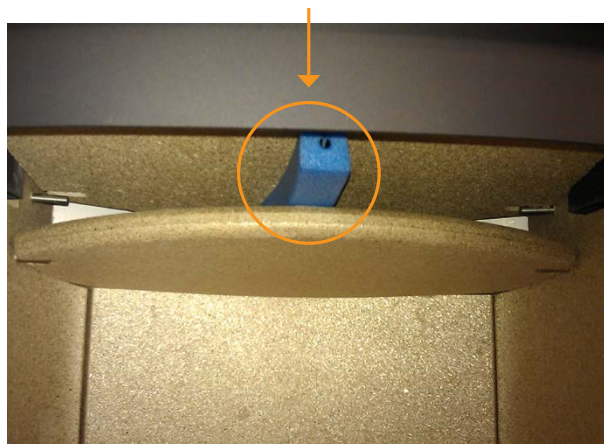
Remove the screws securing the stove to the pallet

1



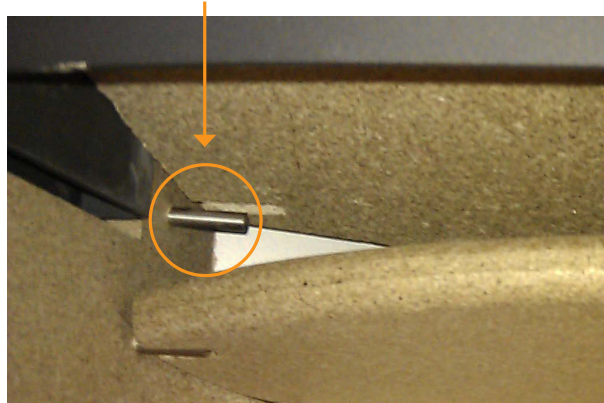
Remove the protection between the baffle plates, before taking the stove into use!

2



Put back the upper plate on the pins, as the protection pushes the plate upwards

3

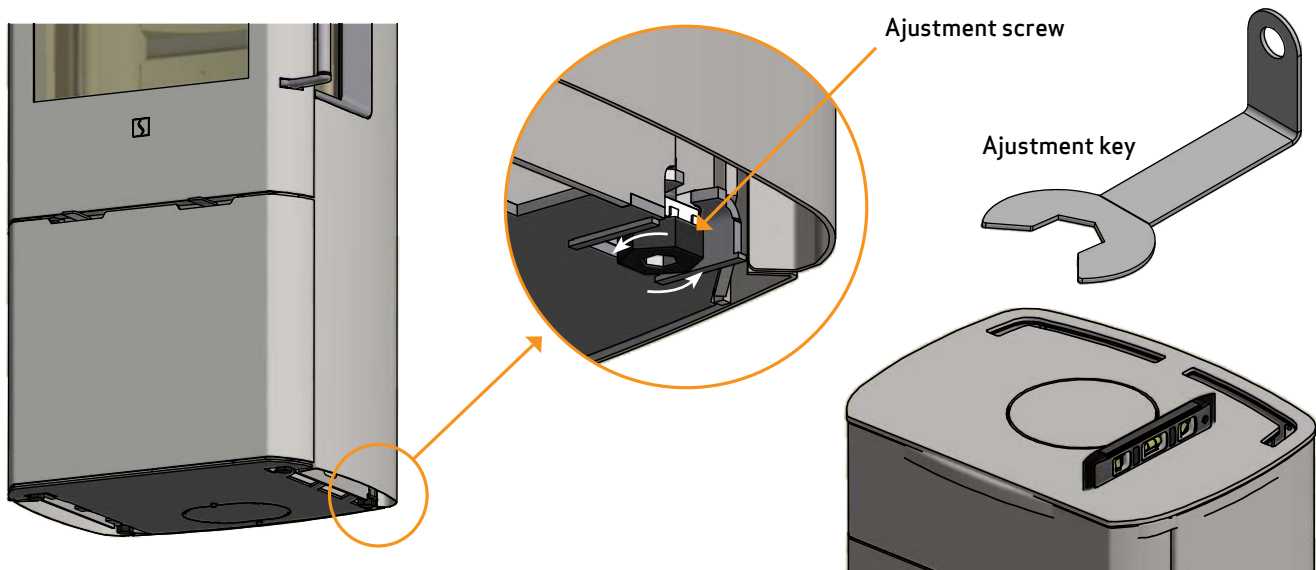


HEIGHT ADJUSTMENT OF STOVE

The stove has four adjustment screws under the stove. Use the adjustment screws and the adjustment key (Accessories) to get the stove to stand straight and level.

If the floor plate is used, the stove must be adjusted so that the plate can be placed under the front of the stove.

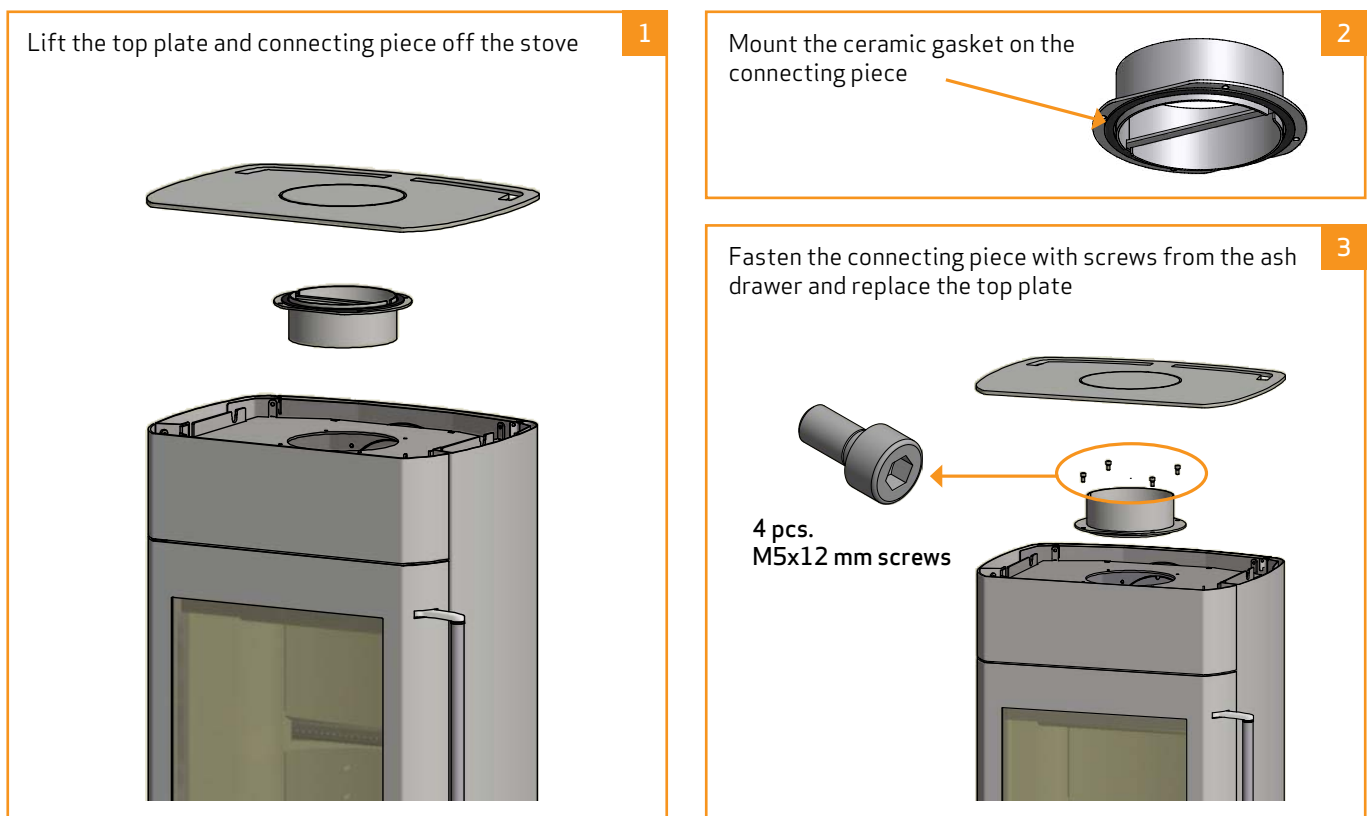
NOTICE: It is very important that the stove is level to allow an optimal function of the door. Please note that once mounted the stove can no longer be adjusted!



FITTING THE FLUE CONNECTION PIECE IN THE TOP OUTLET

The stove is prepared from the factory for top outlet.

The connecting piece is placed loosely in the top outlet of the stove. The gasket for the connecting piece and the screws for fastening the connecting piece are in the stove's ash drawer.



FITTING THE FLUE CONNECTION PIECE IN THE REAR OUTLET

The stove is prepared from the factory for top outlet.

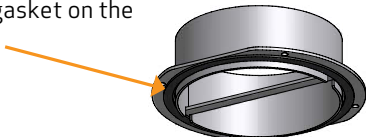
The connecting piece is placed loosely in the top outlet of the stove. The gasket for the connecting piece and the screws for fastening the connecting piece are in the stove's ash drawer.

Lift the top plate and connecting piece off the stove **1**



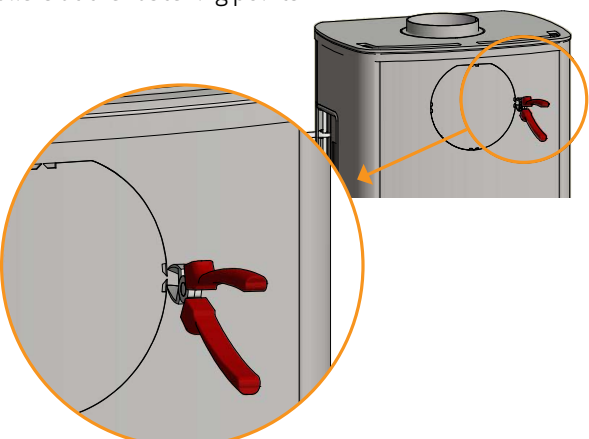
The diagram shows a top plate and a connecting piece being lifted off the top of a stove. The stove is shown in a three-quarter view, with the top plate and connecting piece positioned above it.

Mount the ceramic gasket on the connecting piece **2**



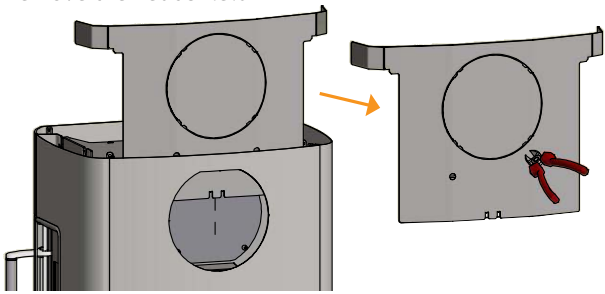
The diagram shows a ceramic gasket being mounted onto the connecting piece. An arrow points from the text to the gasket.

Cut off the cover plate from the rear plate with cutting pliers at the fastening points **3**



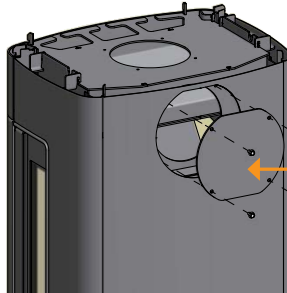
The diagram shows a stove with a cover plate being cut off from the rear plate. Red cutting pliers are shown cutting the cover plate at the fastening points. A circular inset provides a magnified view of the cutting process.

Lift the heat shield off the stove and cut the cover plate free using cutting pliers at the fastening points. Remove the heat shield **4**



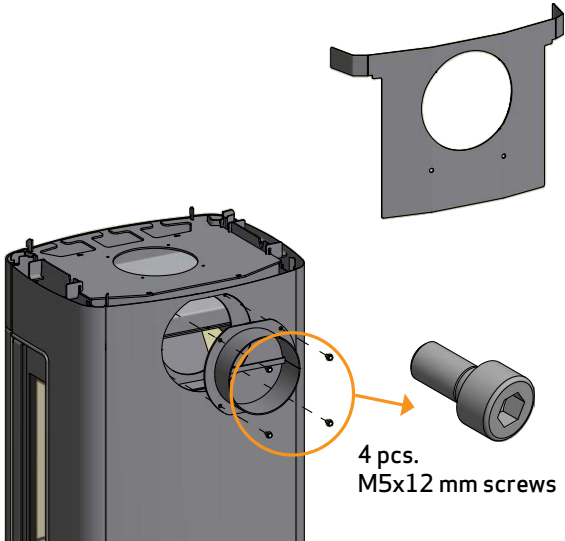
The diagram shows the heat shield being lifted off the stove. The cover plate is then cut free from the rear plate using cutting pliers. The heat shield is shown being removed from the stove.

Remove the cover. This is to be used later as a seal and cover at the top of the smoke outlet **5**



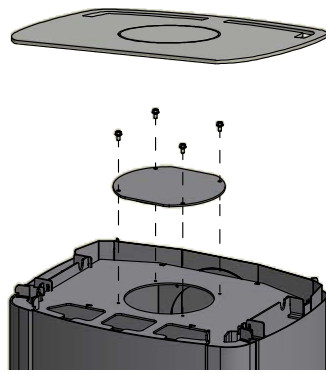
The diagram shows the cover plate being removed from the stove. An arrow points to the cover plate with the label "Cover plate".

Fit the connecting piece with the four screws found in the stove's ash drawer. Hook the heat shield onto the stove **6**



The diagram shows the connecting piece being fitted with four screws. The heat shield is then hooked onto the stove. The text "4 pcs. M5x12 mm screws" is shown next to the screws.

Fit the cover and tighten it. Replace the top plate **7**



The diagram shows the cover being fitted and tightened. The top plate is then replaced on the stove.

LOAD-BEARING FOUNDATION

All items in our product range come under the category of lightweight fireplaces and stoves and do not normally require any reinforcement of the beam structure. They can be positioned on ordinary beams/floor.

You should of course make sure that the foundation on which the stove is positioned can indeed support the weight of the stove and, where applicable, a steel chimney, if you have opted for this solution. In case of doubt about the carrying capacity of the floor, please consult a building expert.

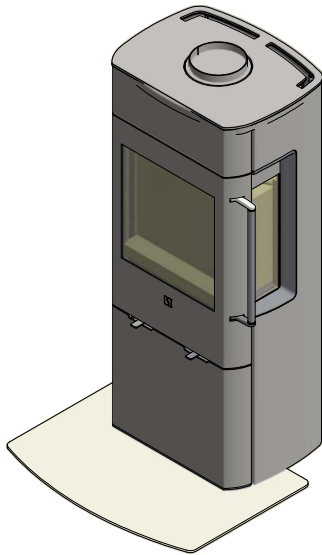
FLOOR PLATE (ACCESSORY)

If you are placing the stove on a flammable floor, you must comply with the national and local regulations on the size of any non-flammable subsurface required to cover the floor around the stove.

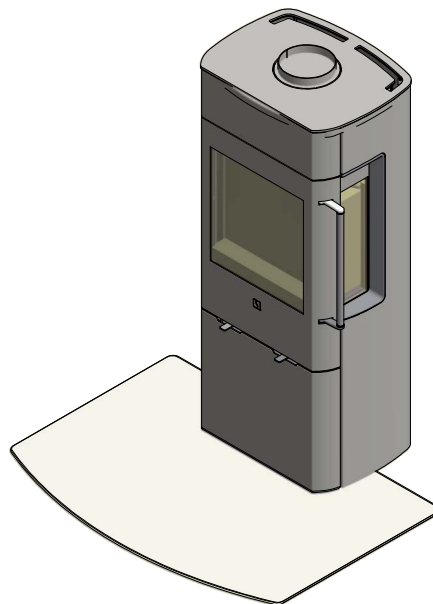
Your local Scan dealer can advise you on regulations concerning protection of flammable materials in the vicinity of your stove.

The floor plate's function is to protect the floor and flammable material against any sparks that may occur. A floor plate can be made of steel or glass, but the stove can also be erected on clinker concrete, natural stone or similar materials.

This Scan wood-burning stove has an integrated floor plate at the bottom and can thus be erected directly on flammable material without the need for further protection underneath the stove.



Small shaped floor plate
in glass or steel



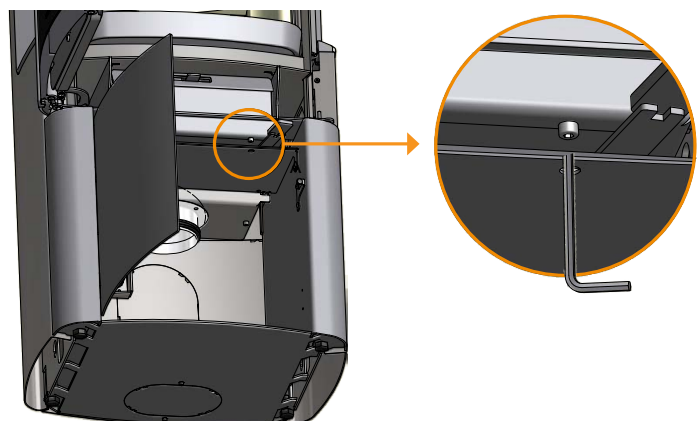
Large shaped floor plate
in glass or steel

MOUNTING THE UK - SCREW

UK ONLY! IMPORTANT!

Scan 41 has been recommended as suitable for use in smoke control areas when burning wood logs and when fitted with a mechanical stop to prevent secondary air control closure beyond the 35mm open position.

NOTE: In order to achieve this, the screw (M5 x 6) must be placed as shown in the pictures, to prevent that the secondary air valve can be closed completely.



INSTRUCTIONS FOR USE

CB-TECHNOLOGY (CLEAN BURN)

The stove is equipped with CB technology. In order to ensure optimal combustion of gases released during the combustion process, air passes through a specially developed system of channels. The heated air is conducted into the combustion chamber through the holes in the rear lining of the combustion chamber and at the baffle plates. This airflow is controlled by the rate of combustion and cannot therefore be regulated.

NOTE: The wood must never be placed higher than the tertiary holes at the rear of the burn chamber (This does not apply at a cold start).

PRIMARY AIR

The primary air is used when lighting the stove and must be closed after 10-20 minutes, when the fire has caught well. The primary air can be used continuously when using very hard wood.

Settings for normal load: 0 - 30%

SECONDARY AIR

Secondary air is pre-heated and fed indirectly to the fire. At the same time, the secondary airflow cleans the glass pane to avoid soot build-up. If you over-restrict the secondary airflow, soot can build up on the glass pane. The secondary airflow determines the heat output from your wood stove.

Settings for normal load: 50 - 70%

BAFFLE PLATE

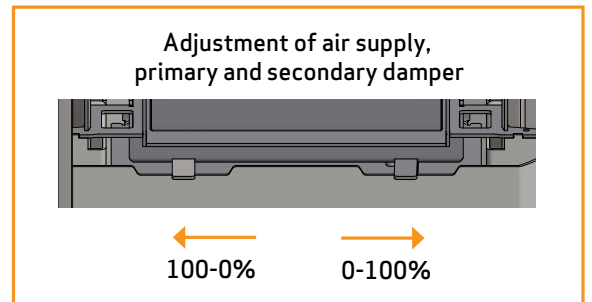
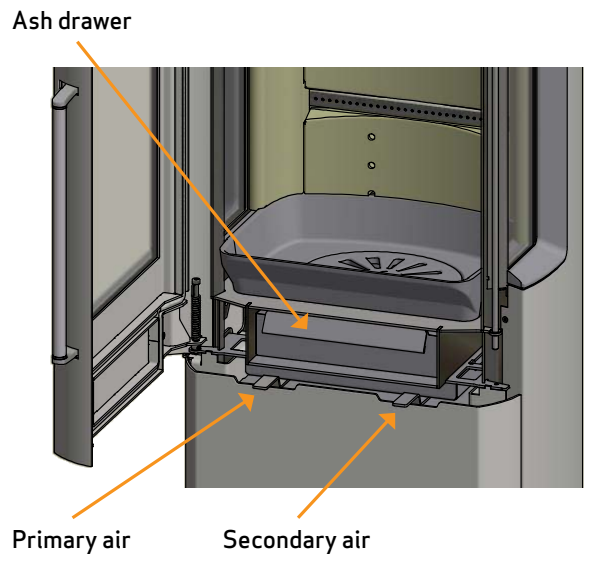
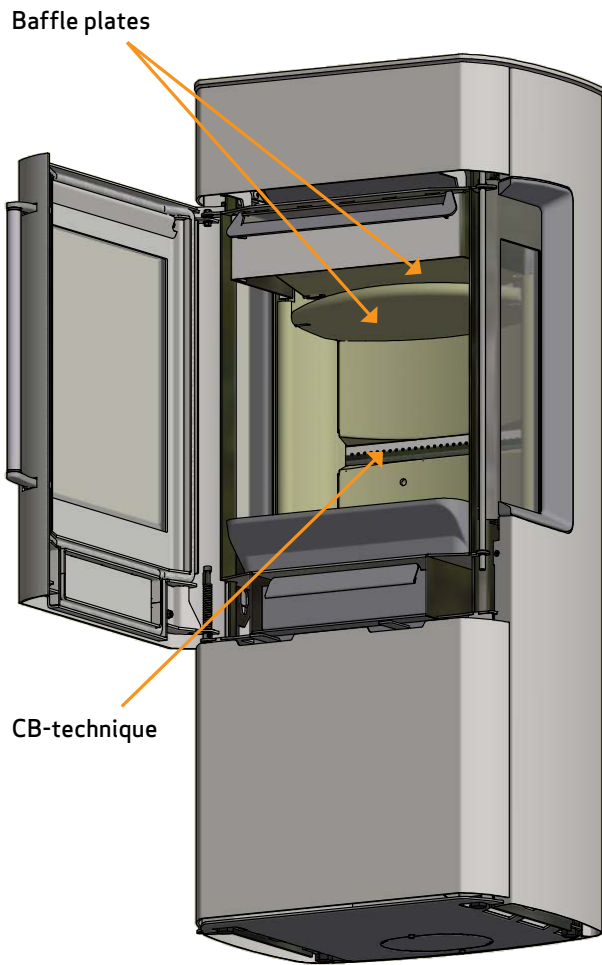
The baffle plate is located in the upper part of the combustion chamber. The plate holds back smoke, making sure it stays inside the combustion chamber for a longer time before escaping through the chimney. This reduces the flue gas temperature as the gases have more time to dissipate heat to the stove.

The baffle plate must be removed for sweeping; see "Maintenance". Note that the baffle plate is made of porous, ceramic material, and is liable to break easily. You should therefore handle it with care.

The baffle plate is subject to wear and tear and not covered by the warranty.

ASH CONTAINER

- Open the door of the stove to access the ash container under the combustion chamber
- The ash container must always be closed during operation
- The ash container must not become too full and must therefore be emptied at regular intervals
- Never empty ashes into a flammable container. Ashes can contain glowing embers long after you finish operating the stove



**SETTINGS
FOR NORMAL LOAD:**

| | |
|----------------|----------|
| Primary air: | 0 - 30% |
| Secondary air: | 50 - 70% |

INSTRUCTIONS FOR HEATING

ENVIRONMENTALLY-FRIENDLY FIRING

Avoid turning down your stove to the point where no flames are visible from the wood, as this leads to poor combustion and low efficiency. The gases released from the wood will not be burnt off due to the low temperature in the combustion chamber. Some of the gases will condense in the stove and flue system as soot, and this could lead to your chimney catching fire at a later point. The residual smoke which exits the chimney will pollute the surrounding area and cause an unpleasant smell.

NOTE!

No matter how good your chimney is, it will not perform well if you do not use it correctly. Equally, a poor chimney may well give you acceptable results if you use it correctly.

LIGHTING

We recommend the use of fire lighters, or similar products, which are available from your Scan dealer. Using fire lighters helps light the wood more quickly and keeps the combustion process clean.

See our video about correct firing on www.scan-stoves.com or scan the QR-code. Please note that this video is only intended as a guide. You should also follow the instructions in the specific manual for your stove model!

Scan the QR-code and see our video about correct firing.



NOTE: Never use liquid lighting fuels!

"TOP DOWN" LIGHTING

"Top down" lighting provides an environmentally friendly lighting and helps keep the glass area optimally clean.

- 4 pieces of wood approx. 20-23 cm long with a weight of approx. 0.4-0.5 kg per piece.
- 15-20 thin pieces of firewood of about 20 cm in length, with a total weight of approx. 0.8 kg.
- 4 fire lighters in bag or block form

- 1 Place the pieces of wood, firewood and fire lighters in the combustion chamber as shown below
- 2 Set the primary and secondary air controls to maximum in the lighting phase. If the fire is too strong, you may throttle down the primary air damper (at the left)

NOTE: The wood must never be placed higher than the tertiary holes at the rear of the burn chamber (This does not apply at a cold start).



CONTINUOUS OPERATION

It is important to obtain as high a temperature as possible in the combustion chamber. This results in best possible use of the stove and fuel, as well as achieving clean combustion. In this way you will avoid build-up of soot on the combustion chamber lining and glass pane. During operation, you should not see any smoke; just a movement in the air that indicates combustion is in progress.

- After completing the lighting phase, you should have a good layer of embers in the stove; you can then start operation of it properly
- Add two pieces of wood at a time: they should be about 0,4-0,6 kg in weight and about 20 cm long

NOTE: The wood must catch fire quickly. This is why we recommend setting the primary air flow fully open. Operating the stove at too low a temperature and with too little primary air can lead to gases igniting, which can damage the stove.

- When adding wood, always open the glass door carefully to prevent smoke escaping
- Never add wood, while the fire is burning nicely

WARNING ABOUT OVER-FIRING

If the stove is continuously fired with larger amounts of wood than recommended and/or receives too much air, this can cause a heavy heat development liable to damage both stove and the surrounding walls. We therefore recommend that you always observe the max. recommended amount of fuel (See under "Technical Data").

USING YOUR STOVE IN VARIOUS WEATHER CONDITIONS

The way the wind affects the chimney can have a big impact on how your stove reacts under various wind loads; you may need to adjust the airflow to achieve good combustion. Fitting a damper in the flue pipe may also help, as it will allow you to regulate the draught under changing wind loads. The damper must not close more than 80% of the surface.

Fog and mist can also have a big impact on chimney draught; you may need to use other settings for the combustion air to achieve good combustion.

FIRING IN THE SPRING OR AUTUMN

In the spring/autumn transition period, where there is less need for heating, we recommend you light the stove "top down" once, perhaps adding just two pieces of wood as above to ensure that the combustion chamber lining burns clean again.

THE FUNCTION OF THE CHIMNEY

The chimney is the wood-burning stove's motor; its performance determines how well your stove will work. The draught in the chimney creates negative pressure in the wood-burning stove. The negative pressure draws the smoke out of the stove and takes in air through the combustion air damper to fuel the combustion process. Combustion air is also used for the air wash system that keeps the window clear of soot.

The draught in the chimney is created by the difference in temperature inside and outside the chimney. The higher temperature difference, the better draught. This is why it is important that the chimney reaches operating temperature before you reduce the damper settings to restrict combustion in the stove (a brickwork chimney will take longer to reach operating temperature than a steel chimney). It is very important that the operating temperature is reached as quickly as possible on days when the draught in the chimney is poor due to unfavorable wind and weather conditions. You need to get a few flames going as quickly as possible. Chop the wood extra thin; use an extra fire lighter etc.

- After longer periods without use, you must check the chimney flue for blockages
- You can connect several units to the same chimney. You should however first check the relevant regulations in this respect

CHIMNEY FIRE

In the event of a chimney fire, keep the stove door, the ash container, and all dampers on the stove closed. In an emergency, call the fire service.

- We recommend that you get a chimney sweep to check the chimney before using the stove again

GENERAL NOTES

PLEASE NOTE! Parts of the wood-burning stove, especially the outer surfaces, become hot during use. Due care should be exercised.

- Never empty ashes into a flammable container. Ashes can contain glowing embers long after you finish operating the stove.
- When the stove is not in use you can close the dampers to avoid a draught through the stove
- If the stove has not been used for some time, you should check the flue passageways for potential blockages before relighting
- We advise you strongly not to use the stove over night. The stove is not suited for this purpose

NOTE: Never place flammable material in the radiation zone of the stove!

HANDLING OF THE FUEL

SELECTING WOOD/FUEL

You can use any type of wood as fuel. However harder woods, such as beech or ash, are generally better for heating, as they burn more evenly and create less ash. Other woods, such as maple, birch and spruce, are excellent alternatives.

PREPARATION

The best fuel is obtained where the tree has been felled and the wood sawn and split before May 1st. Remember to cut the wood to match the size of the combustion chamber. We recommend a diameter of 6-10 cm. The length should be about 6 cm shorter than that of the combustion chamber to leave enough space for air to circulate. If the diameter of the wood is greater than the above, it should be split down its length. Wood that has been split dries faster.

STORING

You need to store the sawn and split wood in a dry place for 1-2 years before it will be dry enough to burn. Wood dries faster if you stack it in an airy place. Before using it, it is a good idea to store the wood for a few days at room temperature. Remember that wood absorbs moisture from the air during autumn and winter.

MOISTURE

To avoid problematic impact on the environment and to ensure optimum operating economy, the wood should be perfectly dry before it can be used as fuel. If you use wood that is too damp, most of the heat it produces will be used up in evaporating the water. The stove will accordingly not increase in temperature, nor emit heat to the room as a result. This is obviously poor economy, and it will cause soot build-up on the glass pane, in the stove and in the chimney. Operation using moist wood also pollutes the environment.

- Maximum wood moisture content should not exceed 20%. A moisture content of 15-18% will deliver best efficiency.
- An easy way of checking wood moisture content is to knock the ends of the two pieces of wood together. If the wood is moist, the sound will be slightly muffled.

USE OF THE FOLLOWING AS FUEL IS ILLEGAL

NOTE: It is absolutely prohibited to fire with painted, pressure impregnated or glued wood, or sea driftwood.

NOTE: Nor should you ever burn chipboard, plastics, or treated paper. These contain substances that are hazardous to human health, to the environment, your stove, and your chimney.

In short - make sure you only use proper wood.

CALORIFIC VALUE OF THE WOOD

The various woods have different calorific values. In other words, for certain species of wood, you will need to use a greater quantity to achieve the same heating performance. This Instruction Manual assumes that you will be using beech, which has a very high calorific value and is also the easiest wood to get hold on. If you use oak or beech as fuel, you need to bear in mind that these wood types have a greater calorific value than for example birch. To avoid any risk of damage to the stove, you should therefore make sure to use less fuel in these cases.

| Wood types | kg Drywood/m ³ | Compared to beech |
|------------|---------------------------|-------------------|
| Hornbeam | 640 | 110% |
| Beech/Oak | 580 | 100% |
| Ash | 570 | 98% |
| Maple | 540 | 93% |
| Birch | 510 | 88% |
| Pine | 480 | 83% |
| Fir | 390 | 67% |
| Poplar | 380 | 65% |

MAINTAINANCE

SWEEPING THE CHIMNEY AND CLEANING THE STOVE

Follow national and local regulations for sweeping the chimney. We recommend having the stove cleaned regularly by a chimney sweep.

Before cleaning the stove and sweeping the flue pipe and chimney, we recommend removing the baffle plates. (See section "Removal of baffle plates and combustion lining")

NOTE: All service and reparation must be done, when the stove is cold.

CHECKING THE STOVE

Scan A/S recommends that you check your stove thoroughly after sweeping/cleaning. Check all visible surfaces for cracks. Check that all joints are tight and that the gaskets are correctly seated. Worn or deformed gaskets should be replaced.

SERVICING

We recommend that the stove is thoroughly serviced at least every two years by a qualified fitter. Remember only to use original spare parts.

The service should include the following:

- Lubricate hinges using copper grease.
- Check the gaskets. Replace any that are broken or have turned hard.
- Check the combustion chamber lining and the grate.
- Check heat-insulating materials.

COMBUSTION CHAMBER LINING

Slight cracks can appear in the combustion chamber lining due to moisture or sudden heating/cooling. These cracks have no influence on the output or lifetime of your stove. However, if the lining starts to crumble and fall out, you must replace it.

The combustion chamber lining is not covered by the warranty.

GASKETS

All wood-burning stoves have seals made of ceramic material fitted to the stove, the door and/or the glass. These seals are subject to wear and tear and must be replaced when necessary.

Gaskets are not covered by the warranty.

PAINTED SURFACES

Clean your wood-burning stove by wiping it down with a dry, lint-free cloth.

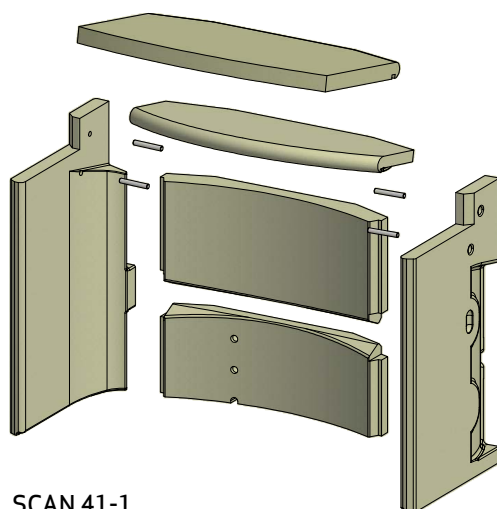
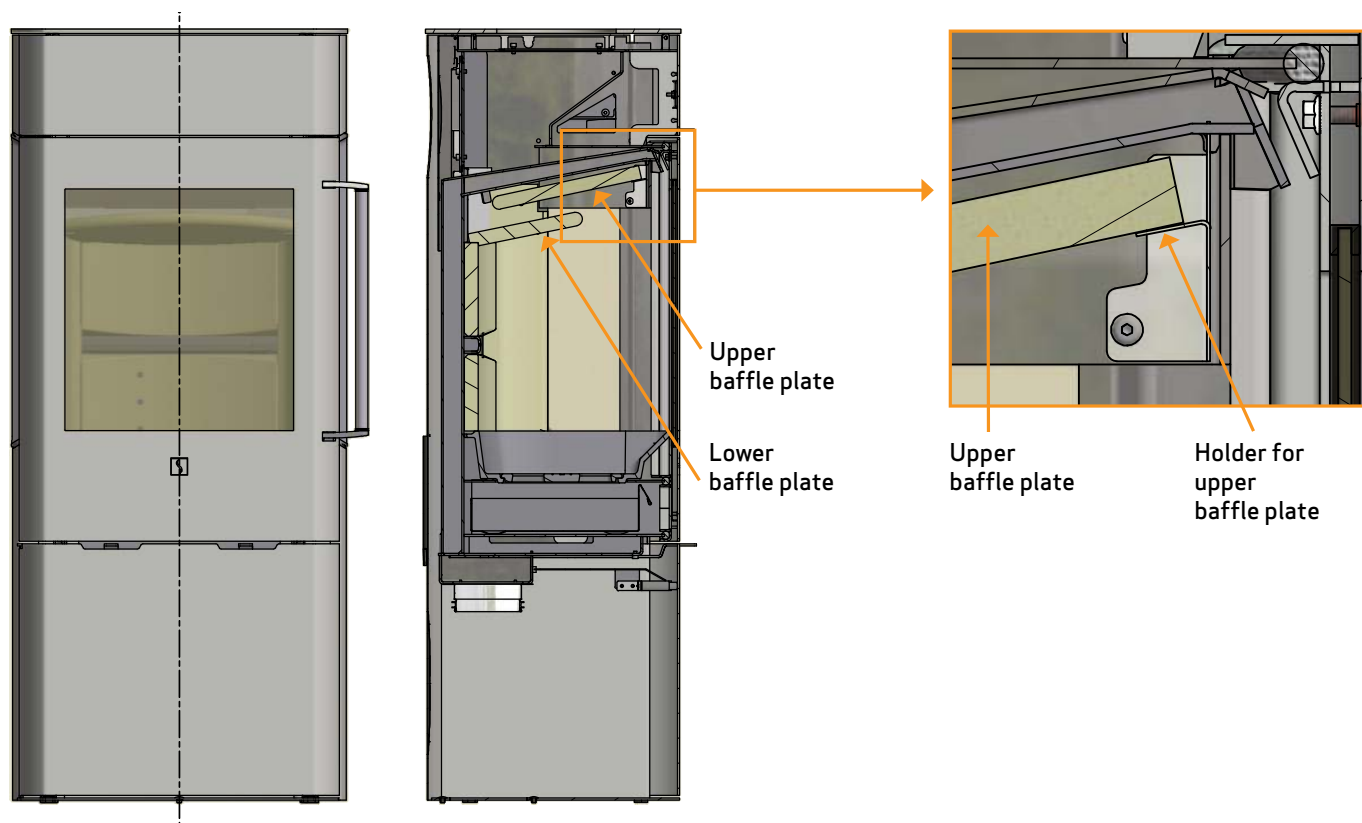
If the paint finish gets damaged, you can purchase repair paint in spray form from your Scan dealer. As slight differences in colour shade are possible, we recommend you spray a larger area to achieve a natural blend. For best results, apply repair spray when the stove is warm enough for you to just keep your hand on it, but no hotter.

NOTE: Make sure to air the room thoroughly after applying spray paint.

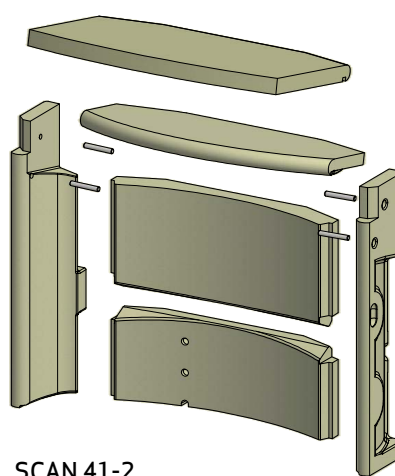
REMOVAL OF BAFFLE PLATES AND COMBUSTION CHAMBER LINING

Be very careful when removing the baffle plates from the stove.

- Lift up the lower baffle plate, remove the pins and take out the baffle plate
- Lift the upper baffle plate to the back of the combustion chamber. Remove pins. Pull the plate free from the baffle plate holder and remove it
- Lift the combustion chamber lining's sides, remove them from the rear cover and take them out. Note that the combustion chamber lining's sides support the rear cover so this could fall when the sides are removed
- Remove the rear cover



SCAN 41-1
(without side windows)



SCAN 41-2
(with side windows)

CLEANING THE GLASS

Our wood-burning stoves are designed to prevent serious soot build-up on the glass. The best way to achieve this is to make sure you have a good supply of combustion air. It is also very important that the wood is dry and the chimney correctly dimensioned.

Even if you operate the stove in accordance with our instructions, a slight film of soot may still accumulate on the glass. You can easily remove this film by wiping the glass down with a dry cloth and then with a cloth dampened with glass cleaner.

- Please note that the glass cleaner is not to get into contact with the gaskets, as this can discolour the glass permanently
- The glass cleaner must not come into contact with the painted surfaces, as these can be damaged

DISPOSAL OF STOVE PARTS

| | |
|---------------------------|--|
| Steel/cast iron | Send for recycling |
| Glass | Dispose of as ceramic waste |
| Combustion chamber lining | Vermiculite and chamotte are not recyclable. Dispose of as waste |
| Baffle plate | Vermiculite is not recyclable. Dispose of as waste |
| Gaskets | Dispose of as waste |

TROUBLESHOOTING

SMOKE ESCAPING

- Damp wood
- Chimney is not properly dimensioned for the stove
- Is the chimney the right height for its surroundings?
- At rear outlet, check that the flue pipe does not obstruct the chimney draught
- The door is opened before the embers have burned down sufficiently
- Chimney not drawing properly
- Check if the smoke gas pipe/chimney are blocked
- Vacuum in room

WOOD BURNING TOO QUICKLY

- The air valves are set incorrectly
- Inferior firewood (waste wood, pallets etc.)
- The baffle plates is incorrectly mounted or missing
- Chimney too large

SOOT BUILD-UP ON GLASS

- Incorrect secondary airflow setting
- Damp wood
- Inferior firewood (waste wood, pallets etc.)
- Vacuum in room
- Excessive primary air
- Wood pieces too large on lighting
- Chimney not drawing sufficiently

WHITE SHADOW ON THE INSIDE OF THE GLASS

- Over-firing (See "Instructions for heating")
- Vacuum in the room
- Too much primary air

EXCESSIVE SOOT BUILD-UP IN CHIMNEY

- Poor burning (more air required)
- Damp wood

THE SURFACE OF THE STOVE IS TURNING GREY

- Overheating (see instructions for heating)

POOR HEATING PERFORMANCE OF STOVE

- Damp wood
- Inferior wood quality with low fuel value
- Not enough wood
- Baffle plates are not fitted correctly

SMELL AND SOUND OF THE STOVE

- The lacquer on the stove hardens when you use the stove for the first time; this can cause an odour. Open a window or a door for ventilation, and make sure the stove is heated up sufficiently to avoid odours later.
- When heating up and cooling down, the stove may make some clicking noises. These are due to the huge temperature differences to which the material is exposed and do not indicate any product defects.

WARRANTY

All wood-fired Scan products are made of high-quality materials and subject to strict quality controls before leaving the factory. We give a warranty of 5 years on manufacturing errors or defects.

You must quote your stove's product registration number when you contact us or your authorized Scan dealer with a warranty claim.

The warranty covers all parts which in the opinion of Scan A/S require repair or replacement due to manufacturing or construction error

The warranty applies to the original purchaser of the product only, and is not transferable (except on prior sale).

The warranty covers only damage caused by manufacturing or construction errors.

THE FOLLOWING PARTS ARE NOT COVERED BY THE WARRANTY

- Wear and tear parts, such as the combustion chamber liners, baffle plates, riddling grate, glass, and seals (except for defects which were present on delivery).
- Soap stones. This is a natural material, wherefore there might be differences in structure, colour, and form as well as grinding marks. The soap stone can be smoothed with fine grinding paper. Smaller "scars" and holes can be repaired with soap stone powder that you can get at your dealer's.
- Defects caused by external chemical and physical influences during transportation, storage and assembly, or at a later time.
- Soot build-up caused by poor chimney draught, damp wood, or improper use.
- Costs of additional heating in connection with a repair.
- Transport costs.
- Costs for setting up, removing the wood stove.

THIS WARRANTY IS VOID

- In case of incorrect installation (the installer is responsible for observing and complying with legal requirements and local bylaws, along with this Instructions manual for the wood-burning stove and accessories).
- In case of improper use, and/or use of prohibited fuels, non-original spares (see this instructions manual).
- If the product registration number of the stove has been removed or damaged.
- In case of repairs that do not comply with our instructions or instructions by an authorized Scan dealer.
- In case of any manipulation of the original state of this Scan product or its accessories.
- This warranty is only valid in the country to which this Scan product was originally supplied.

Always use original replacement parts, or parts recommended by the manufacturer.

NOTES

Product registration number

Quote this number at all enquiries